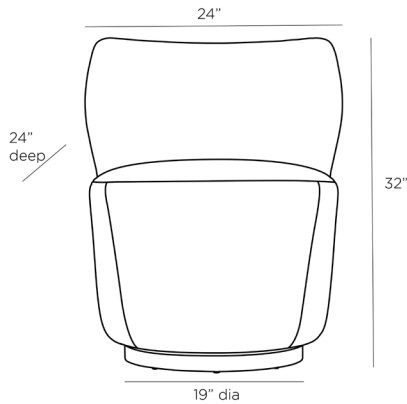


ARTERIOS

POPPY CHAIR CIDER VELVET CHAMPAGNE SWIVEL



8172

H: 32 IN, W: 24 IN, D: 24 IN

Cider Velvet

Contract Suitable As Is

Beautiful from every angle, this wing-armed swivel is scaled for smaller spaces, which makes it both versatile and visually impactful. The low, angular Poppy chair is upholstered in sumptuous cider velvet and rests on a champagne iron plinth, creating a seat that's as elegant as it is comfortable.

APPEARANCE

Material	Iron, Velvet
Finish	Champagne, Cider
Top Coat/Sealant	false

DIMENSIONS

Base	H: 3 IN
Foot Print	Dia: 19.00 IN
Seat Back Height	14 IN
Seat	W: 22.5 IN, D: 18 IN
Seat Height	19 IN
Seat	W: 22.5 IN, D: 18 IN
Yardage To Reupholster	3

SHIPPING

Shipping Requirements	TruckShip
Product Weight	40 LBS
Gross Weight 1	84 LBS
Shipping Box 1	H: 32 IN, L: 24 IN, W: 24 IN

ADDITIONAL INFO

Leg Or Foot Application	360 Swivel
Fabric Compliancy	NFPA-260, TB117-2013
Fabric Cleaning Code	S - DRY CLEAN ONLY
Fabric Content	82% POLYESTER, 18% COTTON
Fabric Rub Count	100,000
Foam Compliancy	TB117-2013, NFPA-260

CONTRACT

Contract Suitable	true
-------------------	------